

PORTABLE DAVIT CRANE

COMMANDER® 1000



LiftingPlus
Hijzen met visie

Samen voor kwaliteit!



van den Berg Bros
Takeltechniek

COMMANDER® 5PT10

PORTABLE DAVIT CRANE

A WORKHORSE DAVIT CRANE

Packed with Thoroughbred Features

The 5PT10 Commander 1000 portable davit crane (up to 1,200 pounds) is packed with features making it the “go to” davit crane for many applications. It is designed to lift, lower, and rotate loads 360 degrees, easily and smoothly. Add an optional rotational bearing and 12-position lock system to facilitate moving heavier loads. Easy disassembly and reassembly with quick-release hardware and pins maximize portability. A variety of base options, manual or power operation, and telescoping boom with adjustable boom angles makes it perfect for water/wastewater, manufacturing, marine, construction, and oil and gas applications.



Product Shown:
5PT10-M1

Enhanced Portability

- Disassembles and reassembles easily, using quick-release hardware and pins for quick transport to storage or bases at other work sites—no tools required
- Move your crane to another location while keeping the wire rope attached to the load using the quick-disconnect feature. Insert the swaged-ball end of the wire rope into the keyhole slot on the gusset of the pedestal base or into an optional wire rope keeper or cable spool

360° Rotation & Flexible Operation

- Heavy-duty Nylatron® bushing at base enhances smooth, 360-degree rotation under load for precise load placement. Optional rotation bearing and lock ease movement and stabilize unloading
- Innovative rotation handle design does not interfere with boom angle adjustment for easier operation
- Telescoping boom and adjustable boom angles allow for precise reach and height positioning
- Choose from manual, drill-drive, or powered winch (electric, pneumatic, or hydraulic motors) operation to accommodate a variety of light or heavy loads and speeds. DC motors and various voltage AC motors available

STANDARD CONFIGURATIONS

IMPERIAL/METRIC

Series	Description	Up To Capacity
5PT10-M1	Powder-coat crane with M4312PB-K spur gear hand winch	1,200 lbs / 544 kg
5PT10G-M1	Galvanized crane with M4312PB-K spur gear hand winch	1,200 lbs / 544 kg
5PT10-M2	Powder-coat crane with 4WM2-K worm gear hand winch	1,200 lbs / 544 kg
5PT10G-M2	Galvanized crane with 4WM2-K worm gear hand winch	1,200 lbs / 544 kg
5PT10S-M3	Stainless-steel crane with M4312PBSS-K spur gear hand winch	1,200 lbs / 544 kg
5PT10-E2	Powder-coat crane with 4WP2-K electric winch	1,200 lbs / 544 kg
5PT10S-E2X	Stainless-steel crane with gray-epoxy 4WP2EGRA-K electric winch	1,200 lbs / 544 kg

Flexible Configurations

- A variety of base mounting options, including pedestal, flush, and wall-mount, as well as wheel-base, help meet unique lifting needs
- A quick-mount winch bracket is standard (no tools required) and accommodates several Thern winches
- Optional base extension provides additional height without affecting the crane's load rating. Ideal for wall- or flush-mount installations to increase crane height for obstacle clearance or other needs. Creates 15 inches (381 mm) of additional height

Durable Construction & Finish

- Heavy-duty, welded structural steel pipe and tubing limit deflection and meet/exceed ASTM standards
- Corrosion-resistant, powder-coated frame, mast cap, and stainless-steel fasteners resist the elements for long service life
- Galvanized, epoxy, and 304 or 316 stainless-steel finishes are available for corrosive environments



NOTICE: These products are not for lifting people or things over people.

Refer to technical pages for detailed performance information.

TECHNICAL DRAWINGS & SPECIFICATIONS

COMMANDER® 1000

PORTABLE DAVIT CRANE

CONFIGURATIONS

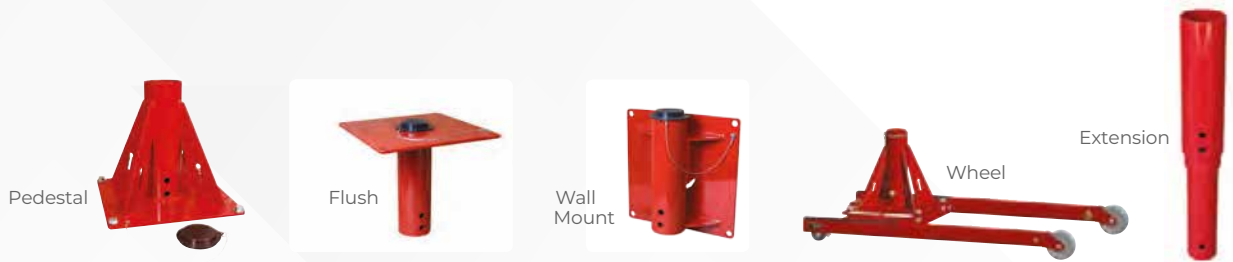
Model	Description	Approx. Ship Wt.	
		(lb)	(kg)
Popular Configurations			
5PT10-M1	up to 1,200 lb capacity with M4312PB-K spur gear hand winch—powder-coat crane	150	68
5PT10G-M1	up to 1,200 lb capacity with M4312PB-K spur gear hand winch—galvanized crane	150	68
5PT10-M2	up to 1,200 lb capacity with 4WM2-K worm gear hand winch—powder-coat crane	164	74
5PT10G-M2	up to 1,200 lb capacity with 4WM2-K worm gear hand winch—galvanized crane	164	74
5PT10S-M3	up to 1,200 lb capacity with M4312PBSS-K spur gear hand winch—stainless-steel crane	150	68
5PT10-E2	up to 1,200 lb capacity with 4WP2-K electric winch—powder-coat crane	207	94
Crane Only			
5PT10	up to 1,200 lb capacity—base model—powder-coat finish	122	55
5PT10G	up to 1,200 lb capacity—base model—galvanized finish	122	55
5PT10S	up to 1,200 lb capacity—base model—304 stainless-steel finish	122	55
5PT10S316	up to 1,200 lb capacity—base model—316 stainless-steel finish	122	55
5PT10X	up to 1,200 lb capacity—base model—epoxy-gray finish	122	55
Winch Only			
M1	M4312PB-K—spur gear hand winch only—zinc plated	28	13
M2	4WM2-K—worm gear hand winch only—powder coat	42	19
M2X	4WM2EGRA-K—worm gear hand winch only—epoxy gray	42	19
M3	M4312PBSS-K—spur gear hand winch only—stainless steel	28	13
E2	4WP2-K electric winch—115/1/60 VAC with 6 ft pendant control—enamel	85	39
E2X	4WP2EGRA-K electric winch—115/1/60 VAC with 6 ft pendant control—epoxy gray	85	39
E4	4777-K electric winch—115/1/60 VAC with 6 ft pendant control—enamel	110	50
E4X	4777EGRA-K electric winch—115/1/60 VAC with 6 ft pendant control—epoxy gray	110	50
E4DC	4777DC-K electric winch—12 volt DC with 10 ft pendant control—enamel	105	48
E4DCX	4777DC-K electric winch—12 volt DC with 10 ft pendant control—epoxy gray	105	48

Independent Bases—sold separately

Pedestal, socket, or wall-mount style.

Wheel base for floor crane operation. Base legs adjust in length and width. See Model 5BR10.

IMPORTANT: Base installation is the customer's responsibility. Thern recommends consulting a civil engineer or other qualified professional. Contact Thern for installation guidelines.



Finish	Pedestal	Flush	Wall	Wheel	Extension
Powder Coat Paint	5BP10	5BF10	5BW10	5BR10	5BE10-15
Galvanized	5BP10G	5BF10G	5BW10G	—	5BE10-15G
304 Stainless Steel	5BP10S	5BF10S	5BW10S	—	5BE10-15S
316 Stainless Steel	5BP10S316	5BF10S316	5BW10S316	—	5BE10-15S316
Epoxy Paint	5BP10X	5BF10X	5BW10X	5BR10X	5BE10-15X
Approximate Ship Weight	52 lbs (24 kg)	44 lbs (20 kg)	48 lbs (22 kg)	285 lbs (130 kg)	—

Wire Rope Assemblies—sold separately

Galvanized or stainless steel wire rope assemblies with swaged-ball fitting to work with the quick-disconnect anchor on the winch. 316 stainless also available. Please contact Thern.

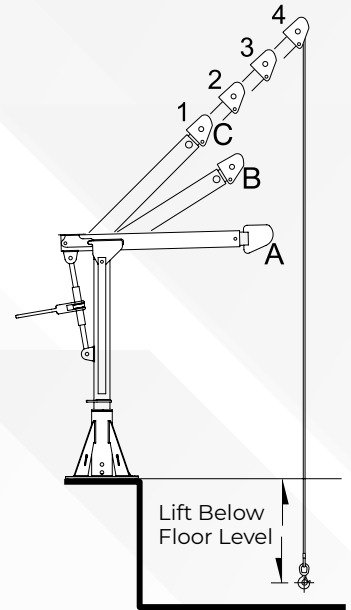
Wire Rope Length		Galvanized Aircraft Cable		304 Stainless Steel Wire Rope	
		3/16" Dia. (4.8 mm)	1/4" Dia. (6.4 mm)	3/16" Dia. (4.8 mm)	1/4" Dia. (6.4 mm)
(ft)	(m)	Model No.	Model No.	Model No.	Model No.
20	6.0	WA19-20NS	WA25-20NS	WS19-20NS	WS25-20NS
28	8.5	WA19-28NS	WA25-28NS	WS19-28NS	WS25-28NS
36	10.9	WA19-36NS	WA25-36NS	WS19-36NS	WS25-36NS
45	13.7	WA19-45NS	WA25-45NS	WS19-45NS	WS25-45NS
60	18.2	WA19-60NS	WA25-60NS	WS19-60NS	WS25-60NS
75	22.8	WA19-75NS	WA25-75NS	WA19-75NS	WS25-75NS
90	27.4	WA19-90NS	—	WA19-90NS	—



PERFORMANCE

Commander 1000 Lift Below Floor² Level

Lift Below Floor ¹		Wire Rope Diameter		Wire Rope Length ³		Winch Configurations Maximum Winch Rating											
Minimum (C4) Maximum (C1)						M1		M2		M3		E2		E4			
(ft)	(m)	(ft)	(m)	(in)	(mm)	(ft)	(m)	(lbs)	(kg)	(lbs)	(kg)	(lbs)	(kg)	(lbs)	(kg)		
2	0.6	7	2.1	3/16"	5	20	6.0	1,200	544	-	-	1,200	544	-	-	1,200	544
10	3.0	15	4.5	3/16"	5	28	8.5	1,200	544	-	-	1,200	544	-	-	1,200	544
18	5.4	23	7.0	3/16"	5	36	10.9	1,200	544	-	-	1,200	544	-	-	1,200	544
27	8.2	32	9.7	3/16"	5	45	13.7	1,200	544	-	-	1,200	544	-	-	1,200	544
42	12.8	47	14.3	3/16"	5	60	18.2	1,200	544	-	-	1,200	544	-	-	1,200	544
57	17.3	62	18.8	3/16"	5	75	22.8	1,200	544	-	-	1,200	544	-	-	1,200	544
72	21.9	77	23.4	3/16"	5	90	27.4	1,200	544	-	-	1,200	544	-	-	1,200	544
102	31.0	107	32.6	3/16"	5	120	36.5	-	-	-	-	-	-	-	-	1,200	544
2	0.6	7	2.1	1/4"	6	20	6.0	1,200	544	1,200	544	1,200	544	1,200	544	1,200	544
10	3.0	15	4.5	1/4"	6	28	8.5	1,200	544	1,200	544	1,200	544	1,200	544	1,200	544
18	5.4	23	7.0	1/4"	6	36	10.9	1,200	544	1,200	544	1,200	544	1,200	544	1,200	544
27	8.2	32	9.7	1/4"	6	45	13.7	1,200	544	1,200	544	1,200	544	1,200	544	1,200	544
42	12.8	47	14.3	1/4"	6	60	18.2	1,200	544	1,200	544	1,200	544	1,200	544	1,200	544
57	17.3	62	18.8	1/4"	6	75	22.8	-	-	1,200	544	-	-	1,200	544	1,200	544
72	21.9	77	23.4	1/4"	6	90	27.4	-	-	-	-	-	-	-	-	1,200	544
102	31.0	107	32.6	1/4"	6	120	36.5	-	-	-	-	-	-	-	-	-	-
2	0.6	7	2.1	5/16"	8	20	6.0	1,200	544	1,200	544	1,200	544	1,200	544	1,200	544
10	3.0	15	4.5	5/16"	8	28	8.5	1,200	544	1,200	544	1,200	544	1,200	544	1,200	544
18	5.4	23	7.0	5/16"	8	36	10.9	1,200	544	1,200	544	1,200	544	1,200	544	1,200	544
27	8.2	32	9.7	5/16"	8	45	13.7	1,200	544	1,200	544	1,200	544	1,200	544	1,200	544
42	12.8	47	14.3	5/16"	8	60	18.2	-	-	-	-	-	-	-	-	1,200	544
57	17.3	62	18.8	5/16"	8	75	22.8	-	-	-	-	-	-	-	-	-	-
72	21.9	77	23.4	5/16"	8	90	27.4	-	-	-	-	-	-	-	-	-	-
102	31.0	107	32.6	5/16"	8	120	36.5	-	-	-	-	-	-	-	-	-	-



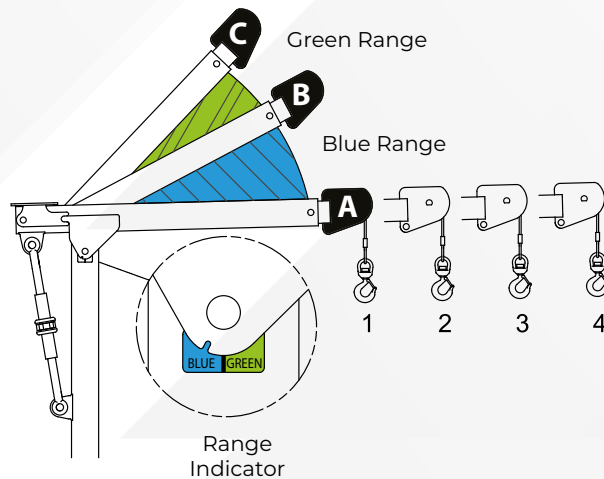
¹ Lift below floor level varies depending on boom position and base configuration. For longer lifts, please contact factory.
² Performance characteristics are for standard products referred to in this manual. Non-standard products may vary from the original design. Contact Thern, Inc. for this information.
³ Wire rope assemblies include a hook and a swaged-ball fitting to work with quick-disconnect anchor on winches, and 316SS wire rope is also available. Please contact the factory.

Winch Configurations



Commander 1000 Performance Ratings²

	Boom Position	Load Rating	
		(lb)	(kg)
BLUE RANGE	A-1	1,000	453
	A-2	800	362
	A-3	650	294
	A-4	550	249
GREEN RANGE	B-1	1,200	544
	B-2	950	430
	B-3	750	340
	B-4	650	294
GREEN RANGE	C-1	1,200	544
	C-2	950	430
	C-3	750	340
	C-4	650	294

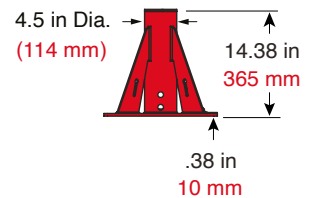
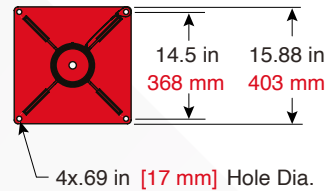


Commander 1000 with Pedestal Base Reach & Height Above Floor¹

Boom Position	Hook Reach		Hook Height	
	(in)	(mm)	(in)	(mm)
A-1	36	914	42	1,066
A-2	46	1,168	42	1,066
A-3	56	1,422	42	1,066
A-4	66	1,676	42	1,066
B-1	29	736	56	1,422
B-2	38	965	60	1,524
B-3	47	1,193	65	1,651
B-4	56	1,422	69	1,752
C-1	22	558	64	1,625
C-2	29	736	71	1,803
C-3	36	914	78	1,981
C-4	43	1,092	85	2,159

¹Performance Characteristics are for standard products. Non-standard products may vary from the original design. Contact Thern, Inc. for this information.

Dimensions are for reference only and subject to change without notice.

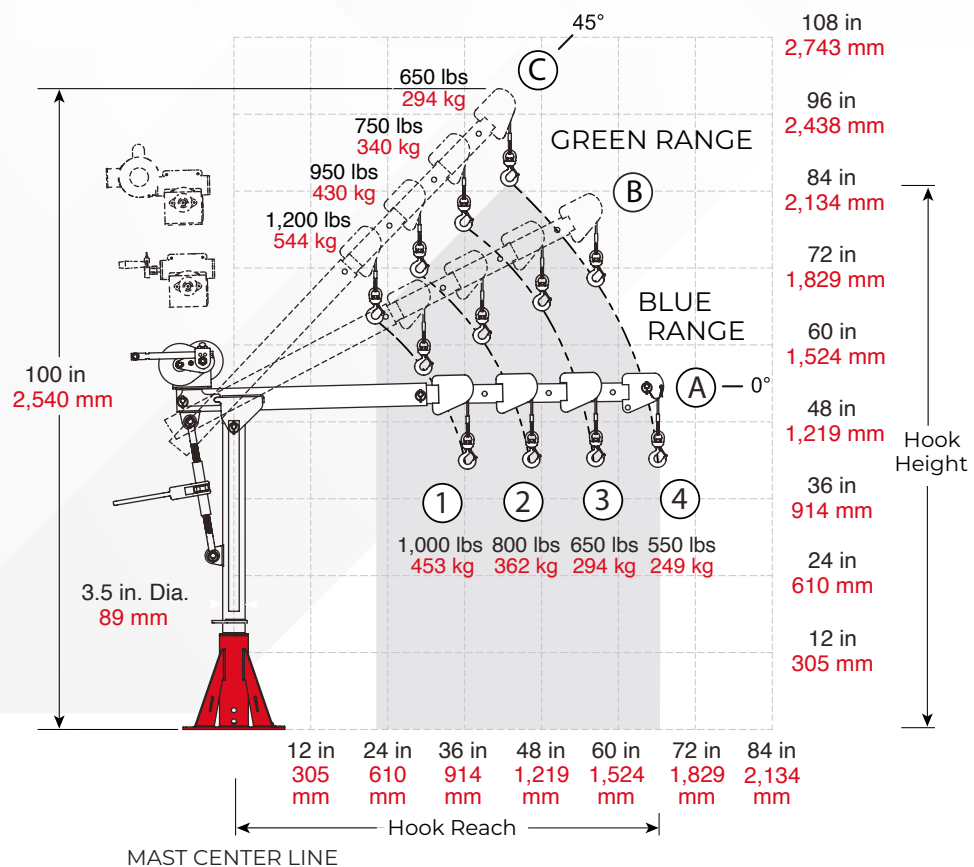


Commander 1000 Pedestal Base

5BP10
5BP10G

5BP10S
5BP10S316

5BP10X

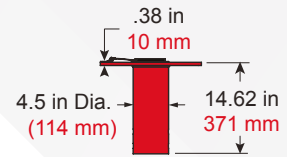
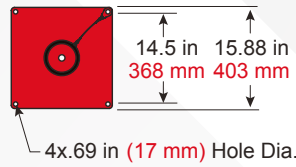


Commander 1000 with Flush- or Wall-Mount Base Reach & Height Above Floor¹

Boom Position	Hook Reach		Hook Height	
	(in)	(mm)	(in)	(mm)
A-1	36	914	28	711
A-2	46	1,168	28	711
A-3	56	1,422	28	711
A-4	66	1,676	28	711
B-1	29	736	42	1,066
B-2	38	965	46	1,168
B-3	47	1,193	51	1,295
B-4	56	1,422	55	1,397
C-1	22	558	50	1,270
C-2	29	736	57	1,447
C-3	36	914	64	1,625
C-4	43	1,092	71	1,803

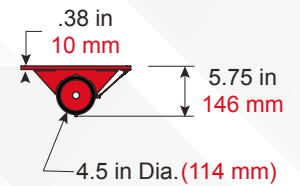
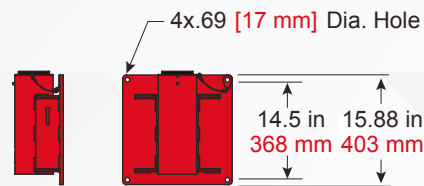
¹Performance Characteristics are for standard products. Non-standard products may vary from the original design. Contact Thern, Inc. for this information.

Dimensions are for reference only and subject to change without notice.



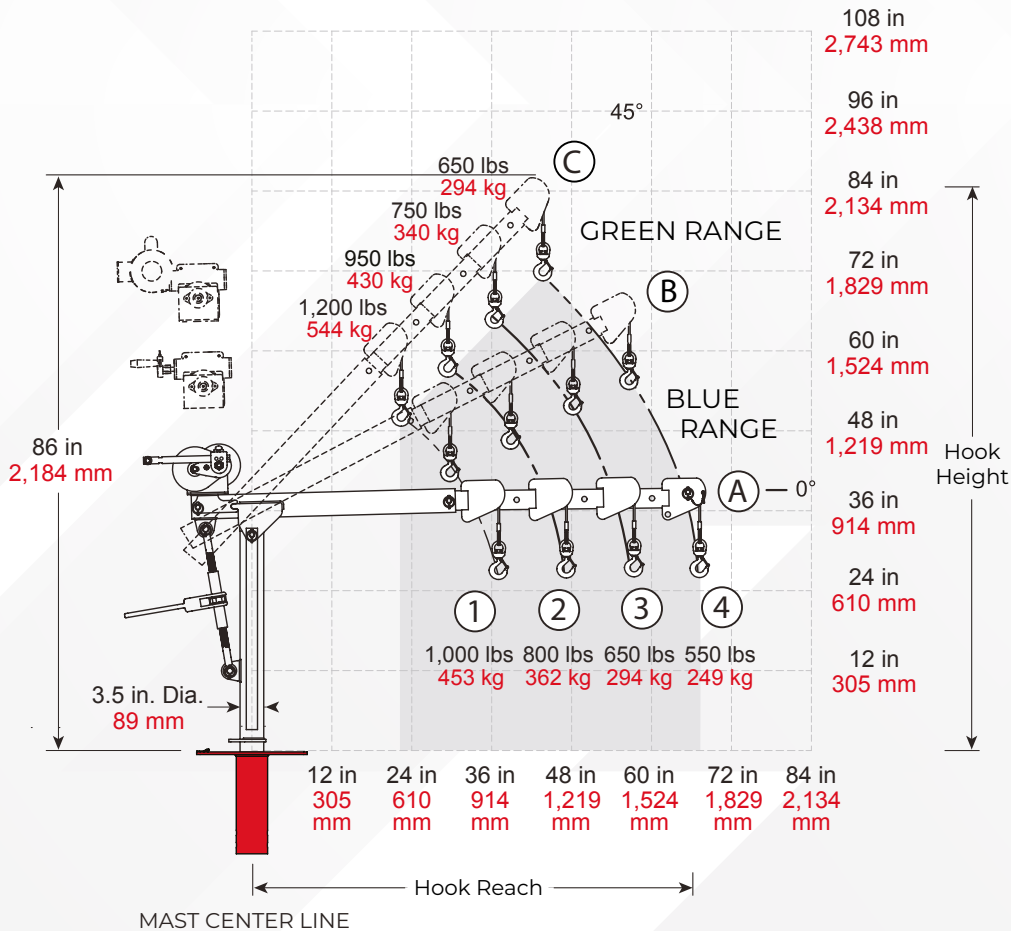
Commander 1000 Flush-Mount Base

5BF10 5BF10G 5BF10S
5BF10S316 5BF10X



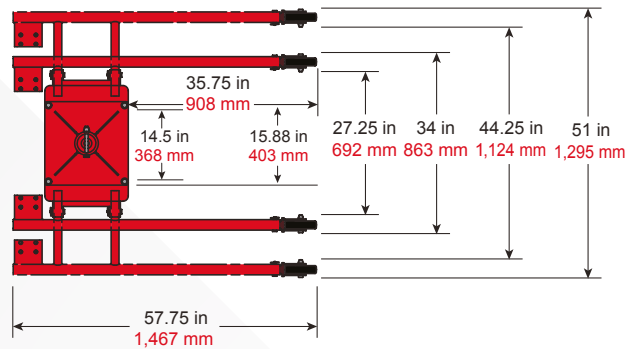
Commander 1000 Wall-Mount Base

5BW10 5BW10G 5BW10S
5BW10S316 5BW10X



Commander 1000 on Wheel Base Reach & Height Above Floor

Boom Position	Hook Reach		Hook Height	
	(in)	(mm)	(in)	(mm)
A-1	36	914	48	1,219
A-2	46	1,168	48	1,219
A-3	56	1,422	48	1,219
A-4	66	1,676	48	1,219
B-1	29	736	62	1,574
B-2	38	965	66	1,676
B-3	47	1,193	71	1,803
B-4	56	1,422	75	1,905
C-1	22	558	70	1,778
C-2	29	736	77	1,955
C-3	36	914	84	2,133
C-4	43	1,092	91	2,311



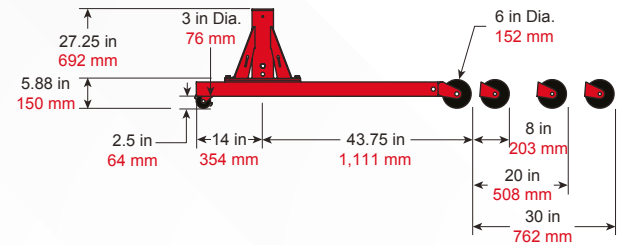
Commander 1000 Wheel Base

5BR10 5BR10X

Dimensions are for reference only and subject to change without notice.

Commander 1000 Wheel Base Load Ratings

Boom Position	Leg Pos. 1		Leg Pos. 2		Leg Pos. 3		Leg Pos. 4		
	(lb)	(kg)	(lb)	(kg)	(lb)	(kg)	(lb)	(kg)	
A/B-1	SEE LOAD RATINGS ON CRANE								
A/B-2									
A/B-3									DO NOT USE
A/B-4									DO NOT USE

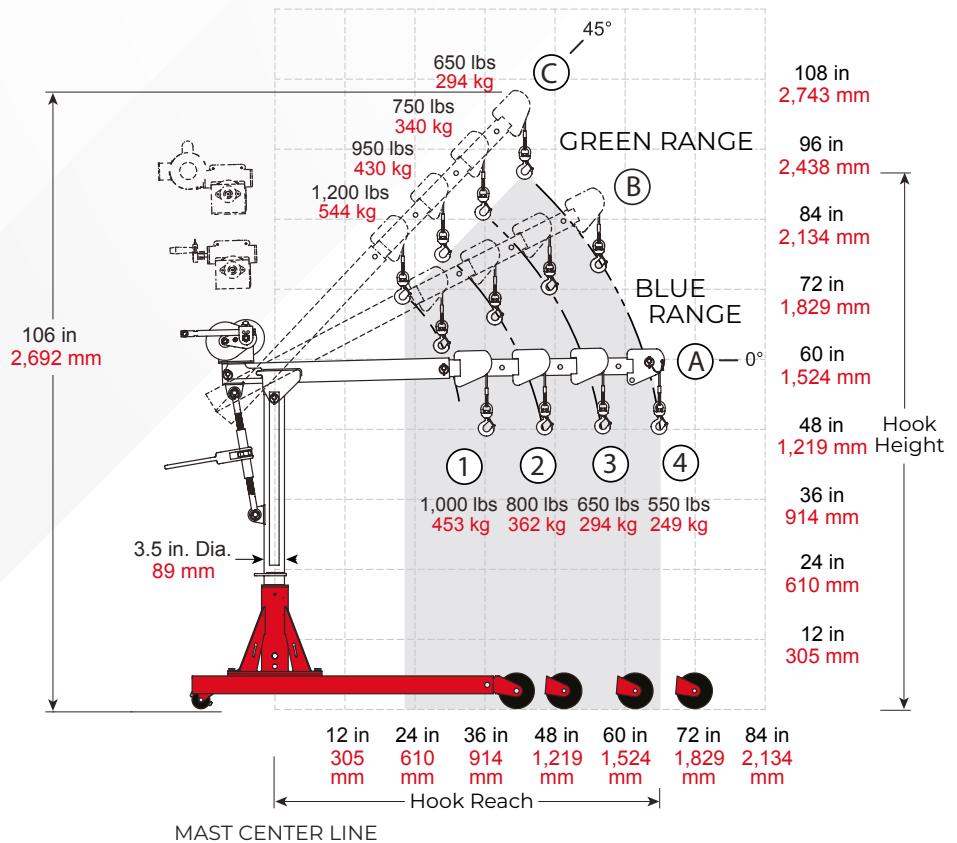


Dimensions are for reference only and subject to change without notice.

Commander 1000 on Wheel Base



IMPORTANT:
Crane DOES NOT rotate when assembled in 5BR10 wheel base.



CRANE

OPTIONS & ACCESSORIES



Base Anchor Kit	
Model	Description
AN50A-5	(4) Hilti® zinc-plated steel fasteners 1/2" X 5.50" STL (5PA5, 5PF5, and 5PT5 cranes)
AN50A-5S	(4) Hilti® 304 stainless-steel fasteners 1/2" X 5.50" SST304 (5PA5, 5PF5, and 5PT5 cranes)
AN50A-5S316	(4) Hilti® 316 stainless-steel fasteners 1/2" X 5.50" SST316 (5PA5, 5PF5, and 5PT5 cranes)
AN62A-6	(4) Hilti® zinc-plated steel fasteners 5/8" X 6.00" STL (5PA10, 5PT10, 5PT20, and 5FT20 cranes)
AN62A-6S	(4) Hilti® 304 stainless-steel fasteners 5/8" X 6.00" SST304 (5PA10, 5PT10, 5PT20, and 5FT20 cranes)
AN62A-6S316	(4) Hilti® 316 stainless-steel fasteners 5/8" X 6.00" SST316 (5PA10, 5PT10, 5PT20, and 5FT20 cranes)



Rotational Lock	
Model	Description
5P5LCK	For pedestal, wall, and flush-mount bases, 316 stainless steel—available for use 5PA5, 5PF5, and 5PT5



Cable Spooler	
Model	Description
RW50	316 stainless-steel reel winds up wire rope when detached from crane



Wire Rope Keeper	
Model	Description
RK19-25S	304 Stainless-steel bracket holds free end of the wire rope when detached from the crane
RK19-25S316	316 Stainless-steel bracket holds free end of the wire rope when detached from the crane



Roller Ball Bearing for 5PT10 Series Crane	
Model	Description
5PT10BRG	Red electrostatic, powder-coat paint finish
5PT10BRG-S	304 stainless-steel, electro-polished finish for added protection against corrosion
5PT10BRG-S316	Stainless-steel, electro-polished finish for maximum protection against corrosion
5PT10BRG-SS	304 stainless steel, for use with stainless-steel base only
5PT10BRG-SS316	316 stainless steel, for use with stainless-steel base only



Roller Ball Bearing for 5PT20 Series Crane	
Model	Description
5PT20BRG	Red electrostatic, powder-coat paint finish
5PT20BRG-S	304 stainless-steel, electro-polished finish for added protection against corrosion
5PT20BRG-S316	Stainless-steel, electro-polished finish for maximum protection against corrosion
5PT20BRG-SS	304 stainless steel, for use with stainless-steel base only
5PT20BRG-SS316	316 stainless steel, for use with stainless-steel base only



Limit Switch Ready Winch Options

Model	Description
NOTE: Limit switch winch option requires purchase of Limit Switch and Headache Ball (sold separately)	
For 5PF5, 5PA5, 5PA10, 5PT5, 5PT10, 5PT20 Series Cranes (sold separately)	
E2L (5PA5, 5PA10)	4WP2V-KL electric winch – 115/1/60 VAC with 6 ft pendant control – enamel
E2LX (5PA5, 5PA10)	4WP2VEGRA-KL electric winch – 115/1/60 VAC with 6 ft pendant control – epoxy gray
E4L	4777-KL electric winch – 115/1/60 VAC with 6 ft pendant control – enamel
E4LX	4777EGRA-KL electric winch – 115/1/60 VAC with 6 ft pendant control – epoxy gray
E4DCL	4777DC-KL electric winch – 12 volt DC with 10 ft pendant control – enamel
E4DCLX	4777DCEGRA-KL electric winch – 12 volt DC with 10 ft pendant control – epoxy gray
For 5FT20 Series Crane Only (sold separately)	
E2L	4WP2-KL electric winch – 115/1/60 VAC with 6 ft pendant control – enamel
E2LX	4WP2EGRA-KL electric winch – 115/1/60 VAC with 6 ft pendant control – epoxy gray
E4L	4771-KL electric winch – 115/1/60 VAC with 6 ft pendant control – enamel finish
E4LX	4771EGRA-KL electric winch – 115/1/60 VAC with 6 ft pendant control – gray-epoxy finish
E4DCL	E4DCL 4771DC-KL electric winch – 12 volt DC with 10 ft pendant control – enamel finish
E4DCLX	4771DCEGRA-KL electric winch – 12 volt DC with 10 ft pendant control – gray-epoxy finish
For 5PT30, 5FT25, 5FT40 Series Crane Only (sold separately)	
E2L	3WG4B-KL electric winch - 115/1/160 VAC with 6 ft pendant control – enamel finish
E2LX	3WG4BEGRA-KL electric winch - 115/1/160 VAC with 6 ft pendant control – epoxy gray finish
E2TL	3WG4BMT-K electric winch - 115/1/160 VAC with 6 ft pendant control – enamel finish (Unavailable for use with 5FT40)
E2TLX	3WG4MTX-KL electric winch - 115/1/160 VAC with 6 ft pendant control – epoxy gray finish



Drill Drive Kit

Model	Description
ED330-DW11	120 VAC, 11-amp, 330 rpm drill motor to power drive the hand winch. Only available for cranes configured with the M2 winch option. Includes 1-1/8" hex drive socket
ED300-DW06	Cordless drill kit, 60 V brushless motor, 300 rpm drill motor to power drive the M2 hand winch option. Includes 1-1/8" hex drive socket
ED400-DW09	Heavy-duty cordless drill kit, 60 V brushless motor, 400 rpm drill motor to power drive the M2 hand winch option. Includes 1-1/8" hex drive socket



Headache Ball

Model	Description
HB10-12-25	Red enamel painted 10 lb fits 1/8" to 1/4" rope
HB10-25-38	Red enamel painted 10 lb fits 1/4" to 3/8" rope
HB10S-12-25	Stainless-steel 10 lb fits 1/8" to 1/4" rope
HB10S-25-38	Stainless-steel 10 lb fits 1/4" to 3/8" rope
HB10S-44-50	Stainless-steel 10 lb fits 7/16" to 1/2" rope



Base Extension

Model	Description
5BE5-15	Available on 5PF5, 5PT5, 5PT10, and 5PT20 with powder-coat, galvanized, 304 & 316 stainless-steel, and epoxy finishes
5BE10-15	
5BE20-15	

Waar kunt u ons vinden?

Voor uw dichtstbijzijnde vestiging kunt u kijken op **samenvoorkwaliteit.nl**

Wij zijn 24/7 bereikbaar in geval van calamiteiten.



LiftingPlus
Hijsen met visie

Liftingplus BV

E info@liftingplus.nl

liftingplus.nl

samenvoorkwaliteit.nl

NB van den Berg Bros
Takeltechniek

Van den Berg Bros
Takeltechniek BV

E info@vandenbergbros.nl

takeltechniek.nl