

STATIONARY DAVIT CRANE

CAPTAIN® 2500 SERIES



LiftingPlus
Hijzen met visie

Samen voor kwaliteit!



van den Berg Bros
Takeltechniek

CAPTAIN® 5FT25

STATIONARY DAVIT CRANE

MAXIMUM, STATIONARY LIFTING POWER with Extended Reach

The 5FT25 Captain 2500 stationary davit crane (up to 2,800 pounds) is designed for some of your heaviest loads. Permanently installed, it features a telescoping boom to reach, lift, and rotate loads a full 360 degrees—smoothly and easily. A screw jack comes standard to facilitate boom angle adjustments. For long or heavy lifts, add a Thern power winch for greater speed. Red-enamel finish and stainless-steel hardware resist wear in harsh conditions or environments. It is perfect for water/wastewater, manufacturing, marine, construction, and oil and gas applications.

360° Rotation & Flexible Operation

- Tapered roller bearing enhances smooth, 360-degree rotation under load for precise load placement. Integral 12-position (every 30 degrees) boom rotation lock facilitates heavy lifting and stabilizes unloading
- Rotation handle design does not interfere with boom angle adjustment for easier operation
- Telescoping boom length and adjustable boom angles accommodate a variety of height and reach requirements
- Choose from manual, drill-drive, or powered winch (electric, pneumatic, or hydraulic motors) operation to accommodate a variety of speed and power requirements. DC motors and various voltage AC motors available



Product Shown:
5FT25-M1

Durable Construction & Finish

- Boom, mast, and base are fabricated from heavy-gauge steel that limits deflection and meets/exceeds ASTM standards
- Red-enamel finish and stainless-steel fasteners resist the elements for long service life
- Epoxy finishes are available for corrosive environments

STANDARD CONFIGURATIONS

IMPERIAL/METRIC

Series	Description	Up To Capacity
5FT25-M1	Red-enamel crane and ratchet jack with M452B-K spur gear hand winch	2,800 lbs / 1,270 kg
5FT25X-M1X	Gray-epoxy crane and ratchet jack with gray-epoxy M452BEGRA-K spur gear hand winch	2,800 lbs / 1,270 kg
5FT25-M2	Red-enamel crane and ratchet jack with 2W40V-BM-K worm gear hand winch	2,800 lbs / 1,270 kg
5FT25X-M2X	Gray-epoxy crane and ratchet jack with gray-epoxy 2W40V-BMX-K worm gear hand winch	2,800 lbs / 1,270 kg
5FT25-E2	Red-enamel crane and ratchet jack with 3WG4B-K electric winch	2,800 lbs / 1,270 kg
5FT25X-E2X	Gray-epoxy crane and ratchet jack with gray-epoxy 3WG4B-KX electric winch	2,800 lbs / 1,270 kg



NOTICE: These products are not for lifting people or things over people.

Refer to technical pages for detailed performance information.

TECHNICAL DRAWINGS & SPECIFICATIONS

CAPTAIN® 2500 STATIONARY DAVIT CRANE

CONFIGURATIONS

Model	Description	Approx. Ship Wt.	
		(lb)	(kg)
Popular Configurations			
5FT25-M1	up to 2,800 lb capacity with M452B-K spur gear hand winch and black defender-coated ratchet jack—red-enamel crane	640	291
5FT25X-MIX	up to 2,800 lb capacity with M452BEGRA-K spur gear hand winch and black defender-coated ratchet jack—gray-epoxy crane	640	291
5FT25-M2	up to 2,800 lb capacity with 2W40V-BM-K worm gear hand winch and black defender-coated ratchet jack—red-enamel crane	682	310
5FT25X-M2X	up to 2,800 lb capacity with 2W40V-BMX-K worm gear hand winch and black defender-coated ratchet jack—gray-epoxy crane	682	310
5FT25-E2	up to 2,800 lb capacity with 3WG4B-K electric winch and black defender-coated ratchet jack—red-enamel crane	755	343
5FT25X-E2X	up to 2,800 lb capacity with 3WG4B-KX electric winch and black defender-coated ratchet jack—gray-epoxy crane	755	343
Crane Only			
5FT25	up to 2,800 lb capacity—black defender-coated ratchet jack—red-enamel crane	562	255
5FT25X	up to 2,800 lb capacity—black defender-coated ratchet jack—gray-epoxy crane	562	255
Winch Only			
M1	M452B-K—spur gear hand winch only—red-enamel finish	78	36
M1X	M452BEGRA-K—spur gear hand winch only—gray-epoxy finish	78	36
M2	2W40V-BM-K worm gear hand winch only—powder-coat finish	120	55
M2X	2W40V-BMX-K worm gear hand winch only—gray-epoxy finish	120	55
E2	3WG4B-K electric winch—115/1/60 VAC with 6 ft pendant control—enamel finish	193	88
E2T	3WG4BMT-K Tall flange electric winch—15/1/60 VAC with 6 ft pendant control—enamel finish	193	88
E2X	3WG4B-KX electric winch—115/1/60 VAC with 6 ft pendant control—gray-epoxy finish	193	88

Wire Rope Assemblies—sold separately

Galvanized or stainless steel wire rope assemblies with swivel hook and latch complete with plain end. 316 stainless steel assemblies available—contact factory.

Wire Rope Length		Galvanized Aircraft Cable		304 Stainless Steel Wire Rope	
		5/16" Dia. (7.9 mm)	3/8" Dia. (9.5 mm)	5/16" Dia. (7.9 mm)	3/8" Dia. (9.5 mm)
(ft)	(m)	Model No.	Model No.	Model No.	Model No.
28	8.5	WA31-28DS	WA38-28DS	WS31-28DS	WS38-28DS
36	10.9	WA31-36DS	WA38-36DS	WS31-36DS	WS38-36DS
45	13.7	WA31-45DS	WA38-45DS	WS31-45DS	WS38-45DS
60	18.2	WA31-60DS	WA38-60DS	WS31-60DS	WS38-60DS
75	22.8	WA31-75DS	WA38-75DS	WS31-75DS	WS318-75DS

PERFORMANCE

Captain 2500 5FT25 Series Lift Below Floor¹ Level

Lift Below Floor ²				Wire Rope Diameter		Wire Rope Length ³		Winch Configurations Maximum Winch Rating							
Minimum (D4)		Maximum (D1)						M1		M2		E2		E2T	
(ft)	(m)	(ft)	(m)	(in)	(mm)	(ft)	(m)	(lbs)	(kg)	(lbs)	(kg)	(lbs)	(kg)	(lbs)	(kg)
1	0.3	6	1.8	5/16"	8	28	8.5	2,800	1,270	2,800	1,270	2,800	1,270	2,800	1,270
9	2.7	14	4.2	5/16"	8	36	10.9	2,800	1,270	2,800	1,270	2,800	1,270	2,800	1,270
18	5.4	23	7.0	5/16"	8	45	13.7	2,800	1,270	2,800	1,270	2,800	1,270	2,800	1,270
33	10.0	38	11.5	5/16"	8	60	18.2	2,800	1,270	2,800	1,270	2,800	1,270	2,800	1,270
48	14.6	53	16.1	5/16"	8	75	22.8	2,800	1,270	2,800	1,270	2,800	1,270	2,800	1,270
63	19.2	68	20.7	5/16"	8	90	27.4	2,800	1,270	2,800	1,270	2,800	1,270	2,700	1,224
93	28.3	98	29.8	5/16"	8	120	36.5	-	-	2,800	1,270	2,700	1,224	2,400	1,088
123	37.4	128	39.0	5/16"	8	150	45.7	-	-	-	-	2,500	1,134	2,200	997
173	52.7	178	54.2	5/16"	8	200	60.9	-	-	-	-	-	-	2,100	952
1	0.3	6	1.8	3/8"	10	28	8.5	2,800	1,270	2,800	1,270	2,800	1,270	2,800	1,270
9	2.7	14	4.2	3/8"	10	36	10.9	2,800	1,270	2,800	1,270	2,800	1,270	2,800	1,270
18	5.4	23	7.0	3/8"	10	45	13.7	2,800	1,270	2,800	1,270	2,800	1,270	2,800	1,270
33	10.0	38	11.5	3/8"	10	60	18.2	2,800	1,270	2,800	1,270	2,800	1,270	2,800	1,270
48	14.6	53	16.1	3/8"	10	75	22.8	2,800	1,270	2,800	1,270	2,800	1,270	2,800	1,270
63	19.2	68	20.7	3/8"	10	90	27.4	-	-	2,800	1,270	2,700	1,224	2,500	1,134
93	28.3	98	29.8	3/8"	10	120	36.5	-	-	-	-	2,500	1,134	2,200	997
123	37.4	128	39.0	3/8"	10	150	45.7	-	-	-	-	-	-	2,000	907
173	52.7	178	54.2	3/8"	10	200	60.9	-	-	-	-	-	-	1,900	861

¹ Performance characteristics are for standard products referred to in this manual. Non-standard products may vary from the original design. Contact Thern, Inc. for this information.

² Lift below floor level varies depending on boom position and base configuration. For longer lifts, please contact factory.

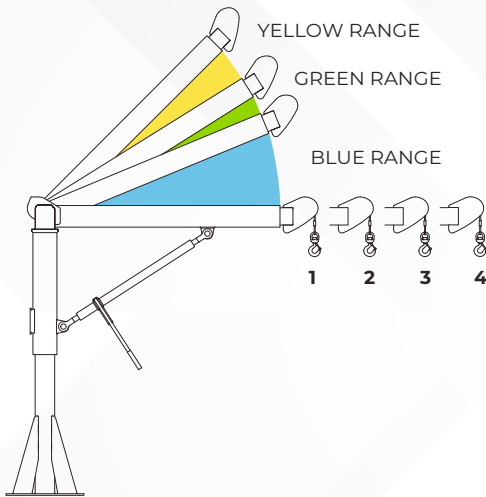
³ Wire rope assemblies include a hook and a swaged-ball fitting to work with quick-disconnect anchor on winches, and 316SS wire rope is also available. Please contact the factory.

Winch Configurations

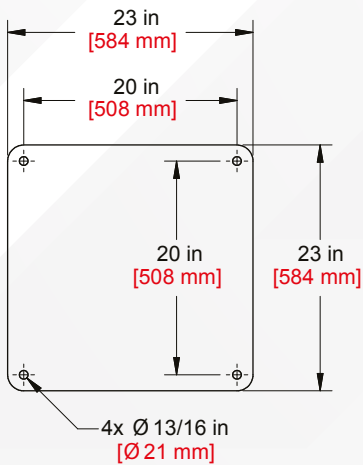


Captain 2500 Performance Ratings

Boom Position	1st Layer Load Rating	
	(lb)	(kg)
BLUE RANGE	1	2,500
	2	2,500
	3	1,700
	4	1,500
GREEN RANGE	1	2,800
	2	2,300
	3	2,000
	4	1,700
YELLOW RANGE	1	2,800
	2	2,600
	3	2,200
	4	1,800



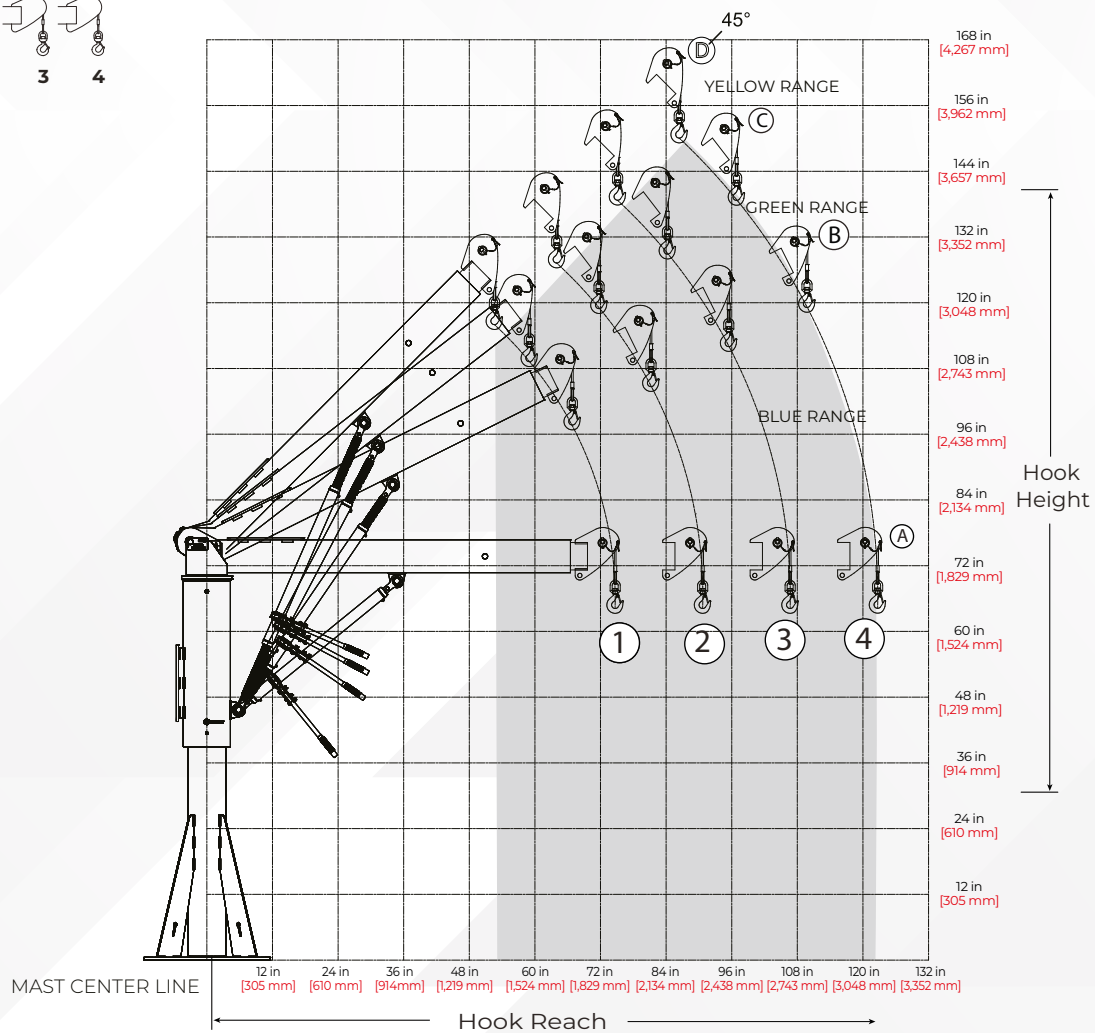
Base Dimensions



Captain 2500 Reach & Height Above Floor

Boom Position	Hook Reach		Hook Height	
	(in)	(mm)	(in)	(mm)
A-1	74	1,879	64	1,625
A-2	90	2,286	64	1,625
A-3	106	2,692	64	1,625
A-4	122	3,098	64	1,625
B-1	67	1,701	98	2,489
B-2	81	2,057	105	2,667
B-3	95	2,413	112	2,844
B-4	110	2,794	119	3,022
C-1	59	1,498	109	2,768
C-2	71	1,803	119	3,022
C-3	84	2,133	129	3,276
C-4	97	2,463	138	3,505
D-1	53	1,346	116	2,946
D-2	64	1,625	127	3,225
D-3	75	1,905	139	3,530
D-4	87	2,209	150	3,810

Dimensions are for reference only and subject to change without notice.



CRANE

OPTIONS & ACCESSORIES



Base Anchor Kit	
Model	Description
AN50A-5	(4) Hilti® zinc-plated steel fasteners 1/2" X 5.50" STL (5PA5, 5PF5, and 5PT5 cranes)
AN50A-5S	(4) Hilti® 304 stainless-steel fasteners 1/2" X 5.50" SST304 (5PA5, 5PF5, and 5PT5 cranes)
AN50A-5S316	(4) Hilti® 316 stainless-steel fasteners 1/2" X 5.50" SST316 (5PA5, 5PF5, and 5PT5 cranes)
AN62A-6	(4) Hilti® zinc-plated steel fasteners 5/8" X 6.00" STL (5PA10, 5PT10, 5PT20, and 5FT20 cranes)
AN62A-6S	(4) Hilti® 304 stainless-steel fasteners 5/8" X 6.00" SST304 (5PA10, 5PT10, 5PT20, and 5FT20 cranes)
AN62A-6S316	(4) Hilti® 316 stainless-steel fasteners 5/8" X 6.00" SST316 (5PA10, 5PT10, 5PT20, and 5FT20 cranes)



Rotational Lock	
Model	Description
5P5LCK	For pedestal, wall, and flush-mount bases, 316 stainless steel—available for use 5PA5, 5PF5, and 5PT5



Cable Spooler	
Model	Description
RW50	316 stainless-steel reel winds up wire rope when detached from crane



Wire Rope Keeper	
Model	Description
RK19-25S	304 Stainless-steel bracket holds free end of the wire rope when detached from the crane
RK19-25S316	316 Stainless-steel bracket holds free end of the wire rope when detached from the crane



Roller Ball Bearing for 5PT10 Series Crane	
Model	Description
5PT10BRG	Red electrostatic, powder-coat paint finish
5PT10BRG-S	304 stainless-steel, electro-polished finish for added protection against corrosion
5PT10BRG-S316	Stainless-steel, electro-polished finish for maximum protection against corrosion
5PT10BRG-SS	304 stainless steel, for use with stainless-steel base only
5PT10BRG-SS316	316 stainless steel, for use with stainless-steel base only



Roller Ball Bearing for 5PT20 Series Crane	
Model	Description
5PT20BRG	Red electrostatic, powder-coat paint finish
5PT20BRG-S	304 stainless-steel, electro-polished finish for added protection against corrosion
5PT20BRG-S316	Stainless-steel, electro-polished finish for maximum protection against corrosion
5PT20BRG-SS	304 stainless steel, for use with stainless-steel base only
5PT20BRG-SS316	316 stainless steel, for use with stainless-steel base only



Limit Switch Ready Winch Options

Model	Description
NOTE: Limit switch winch option requires purchase of Limit Switch and Headache Ball (sold separately)	
For 5PF5, 5PA5, 5PA10, 5PT5, 5PT10, 5PT20 Series Cranes (sold separately)	
E2L (5PA5, 5PA10)	4WP2V-KL electric winch – 115/1/60 VAC with 6 ft pendant control – enamel
E2LX (5PA5, 5PA10)	4WP2VEGRA-KL electric winch – 115/1/60 VAC with 6 ft pendant control – epoxy gray
E4L	4777-KL electric winch – 115/1/60 VAC with 6 ft pendant control – enamel
E4LX	4777EGRA-KL electric winch – 115/1/60 VAC with 6 ft pendant control – epoxy gray
E4DCL	4777DC-KL electric winch – 12 volt DC with 10 ft pendant control – enamel
E4DCLX	4777DCEGRA-KL electric winch – 12 volt DC with 10 ft pendant control – epoxy gray
For 5FT20 Series Crane Only (sold separately)	
E2L	4WP2-KL electric winch – 115/1/60 VAC with 6 ft pendant control – enamel
E2LX	4WP2EGRA-KL electric winch – 115/1/60 VAC with 6 ft pendant control – epoxy gray
E4L	4771-KL electric winch – 115/1/60 VAC with 6 ft pendant control – enamel finish
E4LX	4771EGRA-KL electric winch – 115/1/60 VAC with 6 ft pendant control – gray-epoxy finish
E4DCL	E4DCL 4771DC-KL electric winch – 12 volt DC with 10 ft pendant control – enamel finish
E4DCLX	4771DCEGRA-KL electric winch – 12 volt DC with 10 ft pendant control – gray-epoxy finish
For 5PT30, 5FT25, 5FT40 Series Crane Only (sold separately)	
E2L	3WG4B-KL electric winch - 115/1/160 VAC with 6 ft pendant control – enamel finish
E2LX	3WG4BEGRA-KL electric winch - 115/1/160 VAC with 6 ft pendant control – epoxy gray finish
E2TL	3WG4BMT-K electric winch - 115/1/160 VAC with 6 ft pendant control – enamel finish (Unavailable for use with 5FT40)
E2TLX	3WG4MTX-KL electric winch - 115/1/160 VAC with 6 ft pendant control – epoxy gray finish

Drill Drive Kit

Model	Description
ED330-DW11	120 VAC, 11-amp, 330 rpm drill motor to power drive the hand winch. Only available for cranes configured with the M2 winch option. Includes 1-1/8" hex drive socket
ED300-DW06	Cordless drill kit, 60 V brushless motor, 300 rpm drill motor to power drive the M2 hand winch option. Includes 1-1/8" hex drive socket
ED400-DW09	Heavy-duty cordless drill kit, 60 V brushless motor, 400 rpm drill motor to power drive the M2 hand winch option. Includes 1-1/8" hex drive socket

Headache Ball

Model	Description
HB10-12-25	Red enamel painted 10 lb fits 1/8" to 1/4" rope
HB10-25-38	Red enamel painted 10 lb fits 1/4" to 3/8" rope
HB10S-12-25	Stainless-steel 10 lb fits 1/8" to 1/4" rope
HB10S-25-38	Stainless-steel 10 lb fits 1/4" to 3/8" rope
HB10S-44-50	Stainless-steel 10 lb fits 7/16" to 1/2" rope

Base Extension

Model	Description
5BE5-15	Available on 5PF5, 5PT5, 5PT10, and 5PT20 with powder-coat, galvanized, 304 & 316 stainless-steel, and epoxy finishes
5BE10-15	
5BE20-15	

Waar kunt u ons vinden?

Voor uw dichtstbijzijnde vestiging kunt u kijken op **samenvoorkwaliteit.nl**

Wij zijn 24/7 bereikbaar in geval van calamiteiten.



LiftingPlus
Hijsen met visie

Liftingplus BV

E info@liftingplus.nl

liftingplus.nl

samenvoorkwaliteit.nl

NB van den Berg Bros
Takeltechniek

Van den Berg Bros
Takeltechniek BV

E info@vandenbergbros.nl

takeltechniek.nl